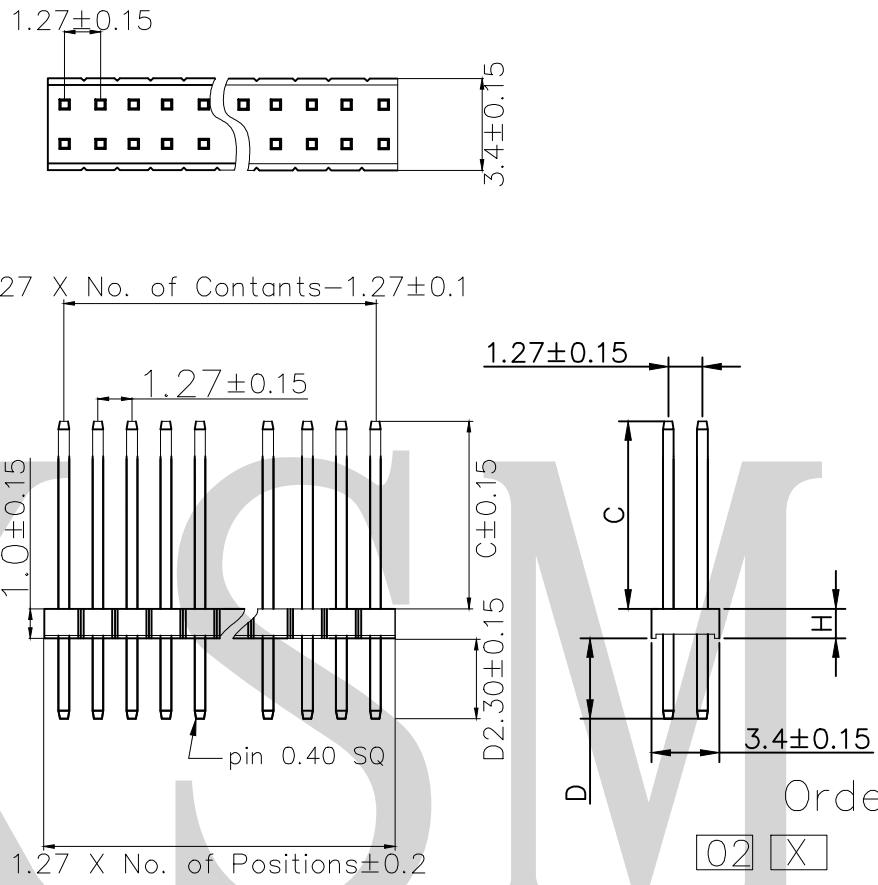


L	C
7.2	3.8
8	4.6
9	5.6
10	6.6
11	7.6
12	8.6
13	9.6
14	10.6
15	11.6
16	12.6
17	13.6
18	14.6
19	15.6
20	16.6



材料Material
 原料Insulator: PA6T,(UL 94V-0)
 相关材料Related Material: Brass
 表面涂层Surface Coating: Gold Over Nickel

规格Specification
 额定电流Current rating: 1AMP
 耐压Dielectric Withstanding Voltage: 500v Ac Min
 绝缘电阻Insulation Resistance: 1000MΩ min
 接触电阻Contact resistance: 30MΩ Max
 工作温度Operating Temperature: -45℃~+105℃

Order Information:

<input type="checkbox"/> 02	<input type="checkbox"/> X	<input type="checkbox"/> XX	<input type="checkbox"/> X	<input type="checkbox"/> XX/XXX	<input type="checkbox"/> XX	<input type="checkbox"/> X	<input type="checkbox"/> XX
Plastics Height 1.H=2.54mm 2.H=2.0mm 3.H=1.0mm	NO.of Pins Per Row 1X40 1-40	Connector Type I=Straight L=Right Angle S=S.M.T	Pin Length XX=C+D+H XXX=C+D+H+E	Contact Plating 100=G/F 0.8u" 101=1u" 102=3u" 103=5u"	Insulator Material Option A: BK-PBT B: BK-PA66 C: BK-PA6T D: BK-PA46 E: BK-LCP F: Special	Space 01=2.54mm 02=2.0mm 03=1.27mm	



P. C. B LAYOUT

Needle Length 7.2-20.00(mm)

Unless Otherwise Specified		1.27mm Pin Header, Dual Row .Straight		上海洲日电子有限公司 Shanghai Zhouri Electronics CO.,LTD 上海康司玛电子设备进出口有限公司 Shanghai KangSiMa Eletronic Equipment import and export Co.,LTD	
Dimension	Tolerance	Version Number	20140718 A/0	Drawing Number ZR20140718-013	
	Decimal	Angle		REV	A
X.	±0.3	±5°		Scale	1:1
X.X	±0.2	±3°		Unit	mm
X.XX	±0.15				A4
Designed	Ma Chao	The Third Angle Projection		Sheet Of Pages	
Checked	Li zhen				
Approved	Fan Hao Hua				